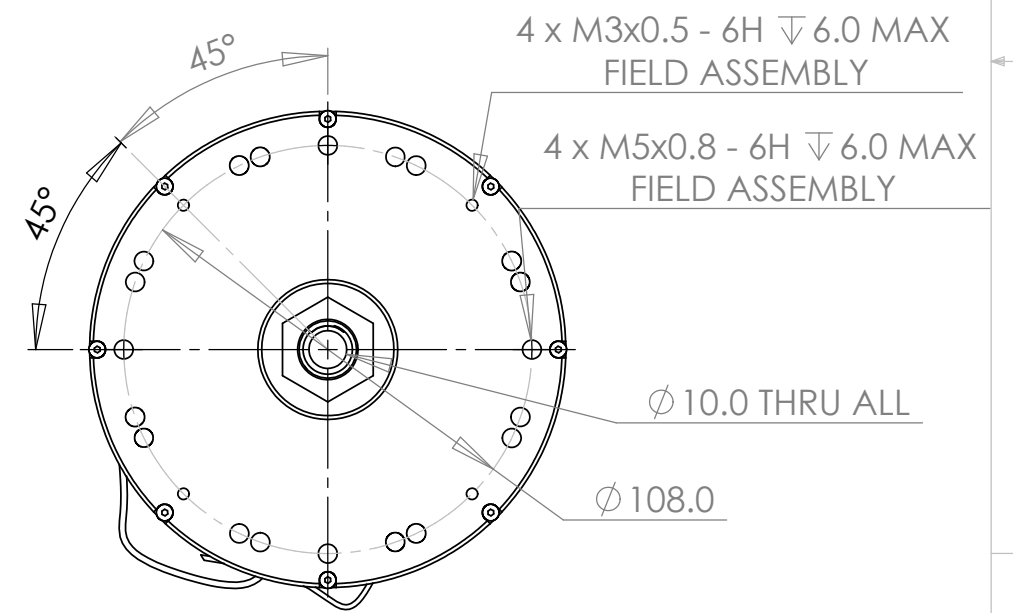
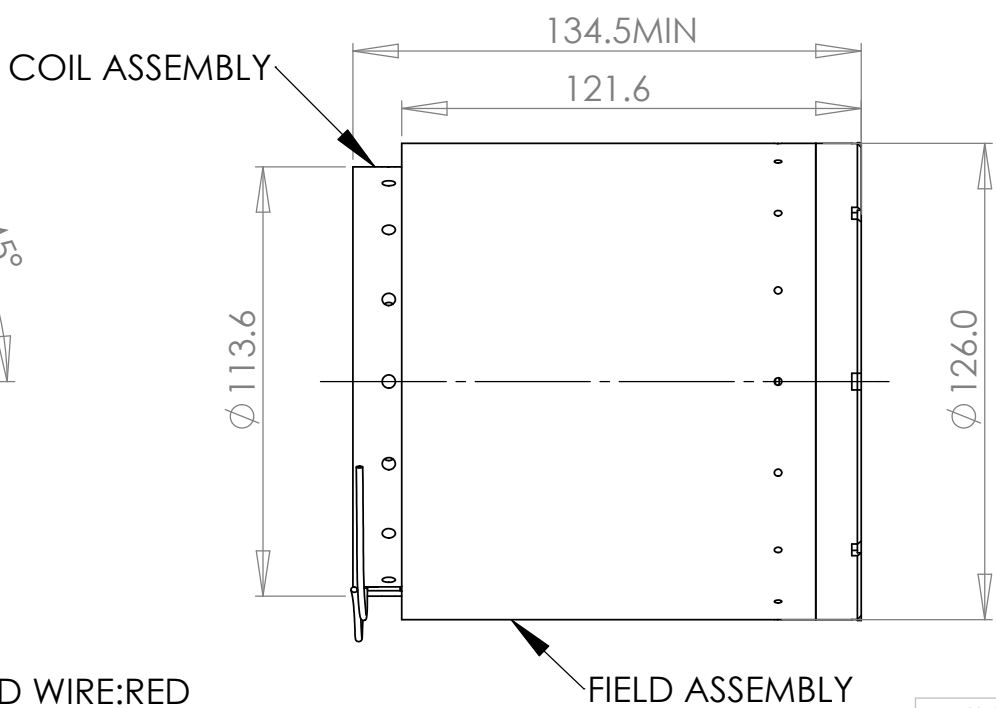
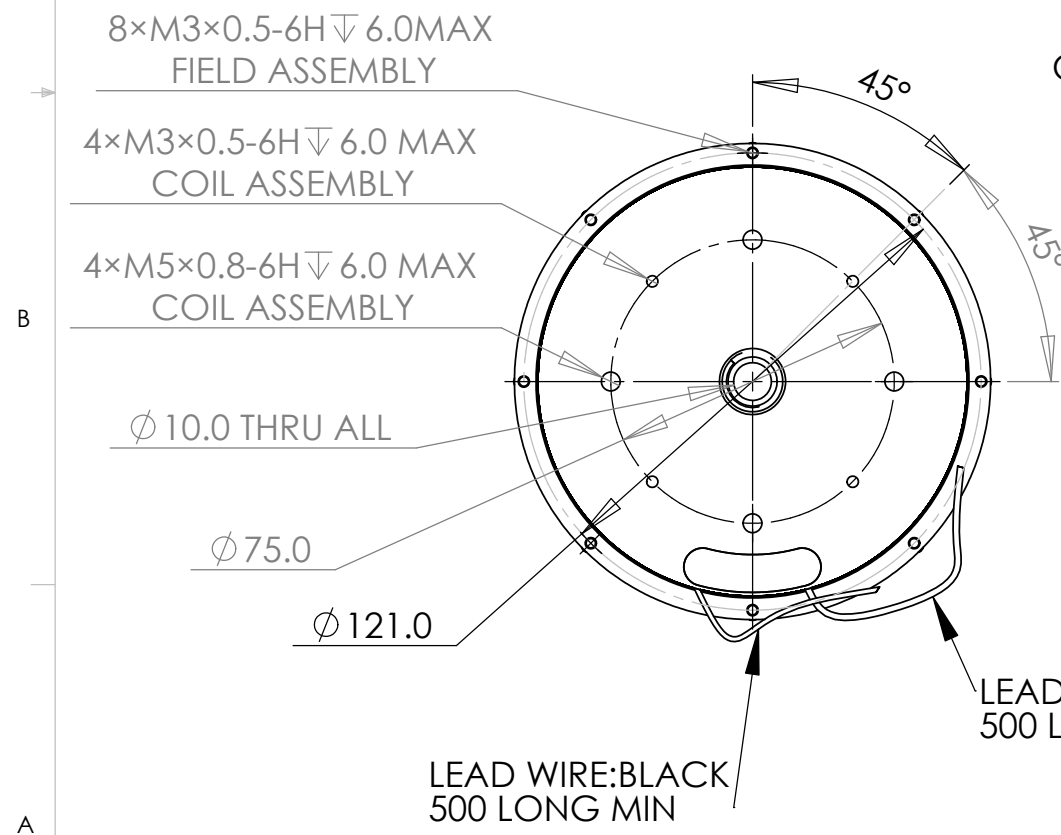
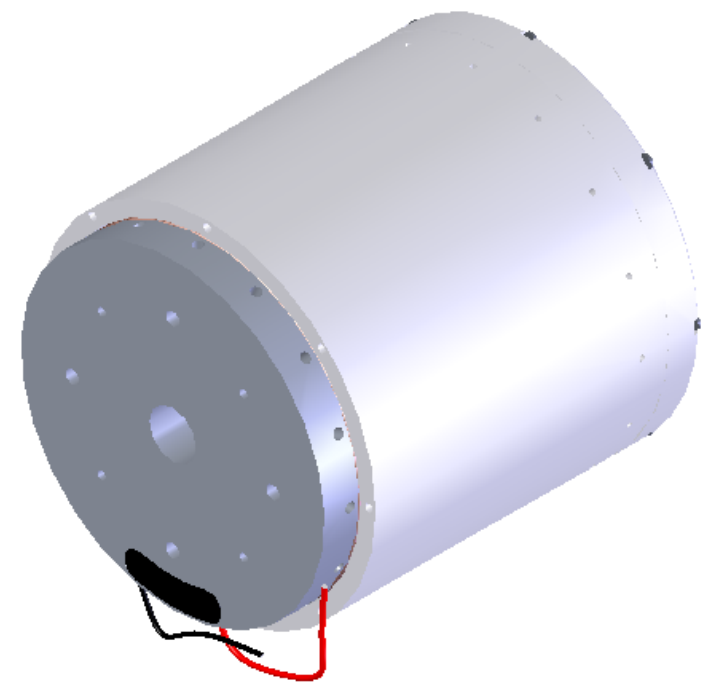


WINDING CONSTANT	TOL	SYM	VALUE	UNITS
DC RESISTANCE	± 10%	R	4.4	OHMS
VOLTAGE @ Fp	NOMINAL	Vp	41.5	VOLTS
CURRENT @ Fp	NOMINAL	Ip	9.4	AMPS
FORCE SENSITIVITY	± 10%	Kf	104	N / A
BACK EMF CONSTANT	NOMINAL	Kb	104	V/M/Sec
INDUCTANCE*****	± 30%	L	6.3	mH

\* 10 sec @ 25C ambient, 150C coil temp.  
 \*\* 25C ambient, 150C coil temp.  
 \*\*\* In free air.  
 \*\*\*\* Measured with 250×250×10mm heat sink.  
 \*\*\*\*\* Measured with BK PRECISION 875B.

REV	ECO NO.	DESCRIPTION	DRN	APP'D	Q.A.	DATE
X1	---	INITIAL RELEASE	BWZ	WYG	LBQ	07/11/28

ACTUATOR PARAMETER	SYM	VALUE	UNITS
PEAK FORCE *	Fp	980	N
CONTINUOUS FORCE **	Fc	605	N
CONTINUOUS FORCE WITH HEAT SINK	Fc	649	N
ACTUATOR CONSTANT	Ka	49.5	N/√w
ELECT TIME CONSTANT	Te	1.43	milli-sec
POWER I2R@Fp	Pp	391	W
TOTAL STROKE	S	24.9	mm
CLEARANCE ON SIDE OF COIL	CL	0.5	mm
THERMAL RESISTANCE ***	θth	0.84	C / W
THERMAL RESISTANCE WITH HEAT SINK****	θth	0.73	C / W
MAX WINDING TEMP	Tmax	150	C
WEIGHT OF COIL ASSEMBLY	WTc	1390	g
WEIGHT OF FIELD ASSEMBLY	WTF	9400	g
WEIGHT OF ACTUATOR	WTa	10790	g



2.INSULATION RESISANCE:100 MEGOHMS MINIMUM AT 500 VDC.  
 △. A POSITIVE(+)VOLTAGE APPLIED TO THE RED LEAD WILL PRODUCE A FORCE ON THE COIL ASSEMBLY IN POSITIVE (+) DIRECTION.  
 NOTES:UNLESS OTHERWISE SPECIFIED

UNLESS OTHERWISE SPECIFIED:  
 DIMENSIONS ARE IN MM  
 TOLERANCES:  
 ANGULAR: MACH ±0° 30'  
 ONE PLACE DECIMAL ±0.25  
 TWO PLACE DECIMAL ±0.1

	NAME	DATE
DRAWN	BWZ	07-04-27
CHECKED		
ENG APPR.	WYG	07-04-27
MFG APPR.		
Q.A.	LBQ	07-04-27
COMMENTS:		

**usas** motion Suzhou, China

TITLE:  
**LINEAR ACTUATOR**

**PROPRIETARY AND CONFIDENTIAL**  
 THE INFORMATION CONTAINED IN THIS DRAWING IS THE SOLE PROPERTY OF USAS MOTION - SUZHOU, CHINA. ANY REPRODUCTION IN PART OR AS A WHOLE WITHOUT THE WRITTEN PERMISSION OF USAS MOTION - SUZHOU, CHINA IS PROHIBITED.

INTERPRET GEOMETRIC TOLERANCING PER:  
 ANSI Y14.5M-1982.

DO NOT SCALE DRAWING

SIZE	DWG. NO.	REV
<b>B</b>	VLR0980-0249-00A	X1
SCALE: 1:2		SHEET 1 OF 1